



GENIE® 755

Direct Drive Probe™

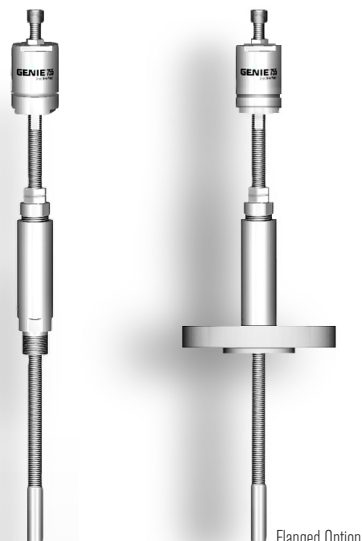
The safest and most versatile membrane tip probe regulator available on the market!

Liquid carryover from the pipeline into the sample system should be prevented when sampling natural gas as it can directly impact the analysis and damage the analyzer. Industry standards state that the equipment used to remove the liquid from the sample must be operated at flowing temperature and pressure conditions. Genie® Probes™ provide a means to insert Genie® Membrane Technology™ directly into a pipeline for the purpose of separating unwanted liquid and particulate from the gas sample at flowing conditions.

The Model 755™ is an adjustable length, membrane tip probe regulator designed to sample transmission quality natural gas. The pressure regulator is built into the probe immediately downstream of the membrane, inside of the pipeline. Heat is transferred from the flowing pipeline gas to the regulator to prevent excessive Joule-Thomson cooling, helping to prevent condensation during pressure letdown.

The Model 755™ can be inserted and extracted from a pressurized line through a full opening valve without the use of a special insertion device. It is offered with threaded or flanged process connections, and optional coatings from Silcotek™. It can be mounted vertically or horizontally, and its installation process is simple and straight forward.

It is important to note that some applications will require additional heat to be applied before pressure regulation, and possibly multiple stages of pressure reduction. For assistance in determining heating and pressure regulation requirements and for more information on our complete line of upstream and midstream gas and liquid sampling products, please contact A+ Corporation or your local distributor.



Flanged Option

Product Brief

Applications

- Gas sampling and pressure regulation of transmission quality natural gas and various types of refinery and petrochemical gases

Note: This product is not recommended for sample streams containing Hydrogen in concentrations above the lower explosive limit (LEL).

Benefits

- Protection of the sample system from liquid and particulate contaminants while maintaining sample integrity
- Flowing pipeline gas helps to offset temperature changes at regulation point
- Easy, quick, and safe insertion and extraction from pressurized systems without a special insertion device
- Horizontal or vertical mounting
- Velocity tested by CEESI flow lab up to 200 ft/sec
- API, GPA & ISO standard compliance

Features

- Unique, one piece body with Genie® Membrane Technology™
- Analytically Correct™ design
- Adjustable length with threaded or flanged process connection
- Proprietary antifriction coating with internal thread die
- Optional speed wrench for faster installation

Technical Specifications

Maximum pressure rating	3,750 psig (258.6 bar)
Temperature ranges (for temperatures above 185°F, contact the factory)	Up to 270°F (132.2°C) with non-standard seals and Hi-Flow Backed membrane -35 °F (-37.2 °C) up to 185 °F (85 °C) with standard seals and Type6/BTU membrane
Port sizes	Outlet: 1/4" female NPT Auxillary: 1/8" female NPT (plugged from factory)
Probe lengths	L: 8", 12", 18", 24", 36", 48" A: ~ 20", 24", 30", 36", 48", 60" (refer to L & A dimensions on back)
Outlet pressure range (psig)	0-10 (0-0.7 bar), 0-25 (0-1.7 bar), 0-50 (0-3.4 bar), 0-100 (0-6.9 bar), 0-250 (0-17.2 bar), 0-500 (0-35.4 bar)
Process connection requirement	3/4", 1" or 1.5" NPT full opening threaded or flanged valve *Ball, gate and double block and bleed valves are all suitable for use as long as their inner diameter is not less than 3/4" 1" NPT or larger process connection required for seal welding.
Wetted materials	Machined parts: 316/316L stainless steel /NACE compliant and Kevlar® threaded bushing All other metal parts: stainless steel / NACE compliant Sealing material: PTFE/Neoprene rubber standard Regulator seat material: PFA Membrane: inert



geniefilters.com

DASTEC S.R.L.

Representantes / Distribuidores Exclusivos

Buenos Aires, Argentina
Tel.: (54 - 11) 5352-2500
Email: info@dastecsrl.com.ar
Web: www.dastecsrl.com.ar

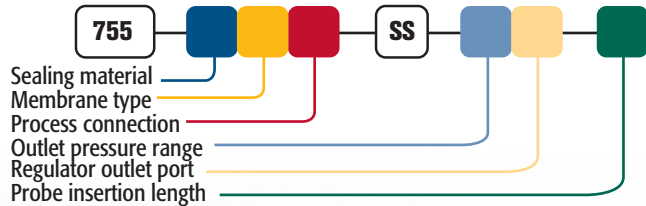
Analyzer Sampling Solutions > Moisture & Corrosion Control > Knowledgeware

Model Numbering & Additional Part Numbers

Your model number is determined by your specific needs. Choose options below.

Sealing material	0 = PTFE/Neoprene rubber	J = RGD resistant HNBR	(other materials available upon request)			
Membrane type	6 = Type 6/BTU	7 = Hi-flow Backed				
Process connection	3 = 3/4" NPT	4 = 1" NPT	6 = 1.5" NPT	(contact factory for flanged options)		
Outlet pressure range (psig)	00 = 0-25	01 = 0-50	02 = 0-100	03 = 0-250	P4 = 0-500	09 = 0-10
Regulator outlet port	1 = 1/4" MNPT to 1/8" tube connector			4 = 1/4" FNPT (standard)		
Probe insertion length (L)	8, 12, 18, 24, 36, 48 inches					

How to build the model number:



Spare Parts & Accessories (sold separately)

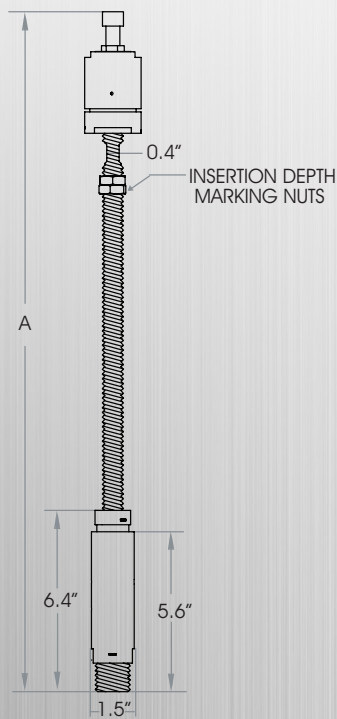
- Sealing material replacement* - Part # 75X-570
- Complete membrane assembly replacement*
Part # 75X-CMA-506 (contains 1 complete assembly)
- Regulator seat cartridge assembly replacement* - Part # 755-771SS
(Use for serial #48766 and greater. Contact factory for others.)
- Speed Wrench for faster installation- Part # ACC-SW
- Manifold with pressure gauge, ball valve, and relief valve - for ordering information, refer to the Genie Probe Regulator Accessory Manifold product sheet
- KOZY insulated probe and valve covers- for ordering information, refer to the KOZY Assemblies product sheet
- Threaded flange - contact factory for your specific requirements

*These parts contain standard seal materials. Contact the factory if non-standard seal materials are needed.

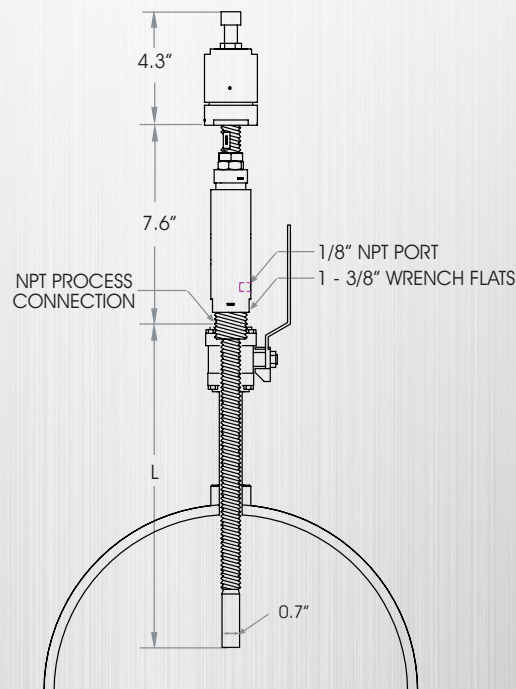
Not designed for external fire. Prior to use in a system, a properly sized relief device is to be installed which limits the use to 110% of the MAWP.

Dimensions

Uninstalled



Installed



DASTEC S.R.L.

Representantes / Distribuidores Exclusivos

Buenos Aires, Argentina

Tel.: (54 - 11) 5352-2500

Email: info@dastecsr.com.ar

Web: www.dastecsr.com.ar

A+ Corporation is the leader in Analytically Correct™ Sample Extraction and Conditioning Systems.

Contact us for expert product application assistance.

sales@geniefilters.com > 225.644.5255 > Fax 225.644.3975

41041 Black Bayou Road, Gonzales, LA 70737 An ISO 9001:2008 Certified Company

U.S. Patents 6,904,816; 7,004,041; 8,522,630; 9,200,986. Genie®, Genie® Membrane Technology®, Genie® Membrane Probes™, are trademarks or registered trademarks of A+ Corporation, LLC. All other referenced trademarks are the property of their respective owners. © 2013 A+ Corporation. All rights reserved. SCC-755-PS_0116